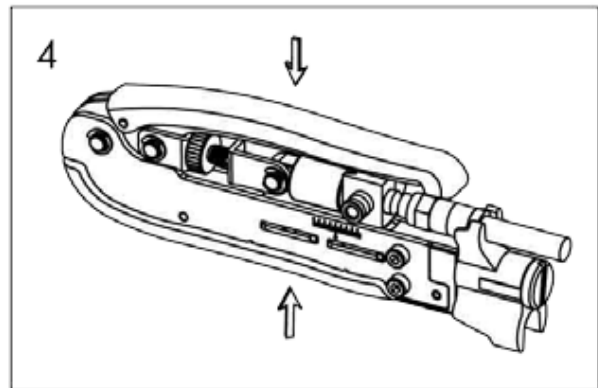
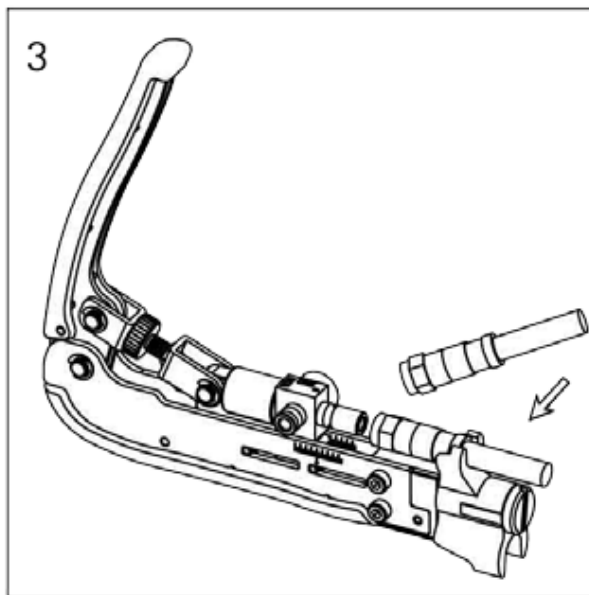
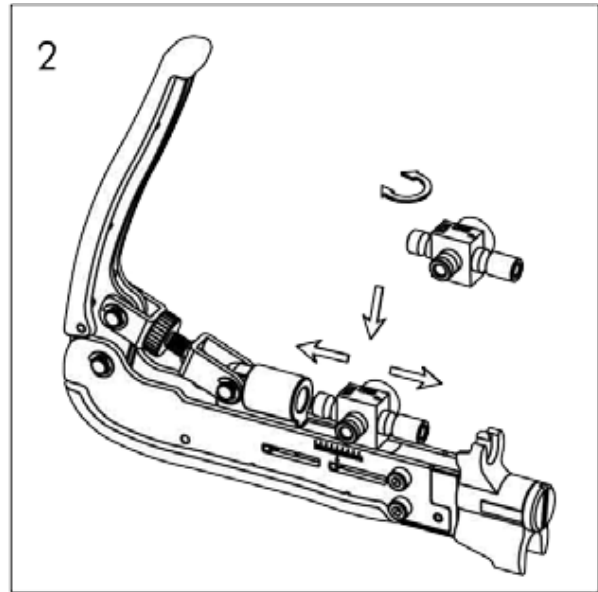
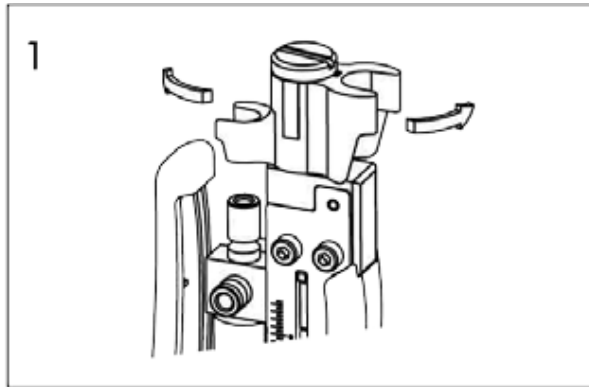


Compression Tools

CT-200, CTF-200, CTF-230, CTF-300, CTF-200CG
Manual/Instructions



Instructions:

1. Choose the correct head by rotating
2. Open the handle
3. *Extract the plunger and select the side compatible with your connector and re-insert the plunger into the holder
4. With the connector pushed properly onto the cable, place the connector into the crimp, dial setting** and squeeze the handles together

***For models CT-200 and CTF-230 only**

****Dial setting is for model CT-200 only**

MADE FOR LIFE®